

DESCRIZIONE

Le bobine serie KMA devono essere alimentate in corrente alternata, le KMD invece in corrente continua. Queste bobine sono utilizzabili solo con valvole normalmente chiuse. I terminali di collegamento sono costituiti da tre attacchi fast-on, due di linea e uno di terra, disposti in modo da potersi accoppiare perfettamente al connettore DIN43650. Tutte le bobine sono conformi alla Direttiva Bassa Tensione 2006/95/CE e alla Direttiva Compatibilità Elettromagnetica 2004/108/CE.

| Type | REFRIGERANT FLOW CAPACITY [kW] | | | | | | | | | | | | | | |
|----------|--------------------------------|--------|------------|--------|--------|--------------|-------|------------|-------|-------|--------------|-------|------------|-------|-------|
| | Liquid line | | | | | Suction line | | | | | Hot Gas line | | | | |
| | R134a | R22 | R404A R507 | R407C | R410A | R134a | R22 | R404A R507 | R407C | R410A | R134a | R22 | R404A R507 | R407C | R410A |
| EV32MM | 4,81 | 5,20 | 3,37 | 4,89 | 4,86 | - | - | - | - | - | 2,41 | 1,93 | 1,93 | 2,34 | 2,85 |
| EV33MM | | | | | | | | | | | | | | | |
| EV32S | | | | | | | | | | | | | | | |
| EV33S | | | | | | | | | | | | | | | |
| EV3M10S | | | | | | | | | | | | | | | |
| EV103MM | 30,66 | 33,17 | 23,19 | 31,19 | 30,10 | 3,73 | 2,69 | 3,39 | 3,44 | 4,86 | 15,20 | 12,07 | 12,42 | 14,75 | 17,70 |
| EV103S | | | | | | | | | | | | | | | |
| EV10M10S | | | | | | | | | | | | | | | |
| EV104MM | 40,87 | 44,23 | 30,92 | 41,58 | 37,22 | 4,98 | 3,59 | 4,52 | 4,59 | 6,62 | 20,26 | 16,09 | 16,56 | 19,66 | 23,98 |
| EV104S | | | | | | | | | | | | | | | |
| EV10M12S | | | | | | | | | | | | | | | |
| EV125MM | 46,44 | 50,29 | 35,10 | 47,27 | 45,16 | 5,67 | 4,04 | 5,10 | 5,22 | 6,87 | 23,08 | 18,27 | 18,85 | 22,38 | 33,61 |
| EV125S | | | | | | | | | | | | | | | |
| EV127S | | | | | | | | | | | | | | | |
| EV226S | | | | | | | | | | | | | | | |
| EV227S | 110,23 | 120,87 | 84,41 | 113,00 | 100,90 | 9,56 | 13,72 | 12,04 | 12,50 | 16,51 | 43,29 | 55,05 | 44,62 | 53,49 | 64,19 |
| EV229S | | | | | | | | | | | | | | | |

DESCRIPTION

The KMA series coils shall be powered in alternative current, while KMD with direct current. Coils are applicable only with normally closed valves. The connection terminals consist of three fast-on attacks, two from the line and one ground, designed to be coupled perfectly with the DIN43650 connector. All solenoids are in accordance with the Low Voltage Directive 2006/95/EC and the Electromagnetic Compatibility Directive 2004/108/EC.

NOTE

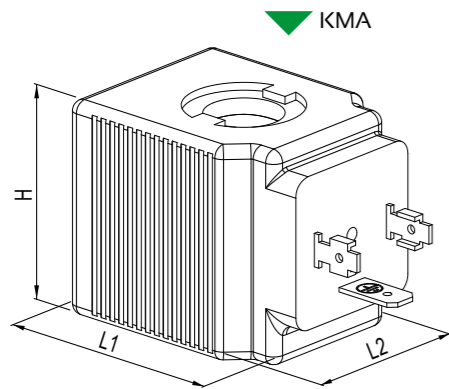
Condizioni operative di riferimento secondo AHRI Standard 760-2007:

Temperatura condensazione 110 °F (43,3 °C) Temperatura liquido 100 °F (37,8 °C)
 Sottoraffreddamento 10 °F (5,5 °K) Temperatura d'evaporazione 40 °F (4,4 °C)
 Temperatura d'aspirazione 65 °F (18,3 °C) Surriscaldamento 25 °F (13,9 °K)
 Temperatura di mandata 160 °F (71,1 °C)

NOTES

Standard rating conditions according to AHRI Standard 760-2007:

Condensing temp. 110 °F (43,3 °C) Liquid temperature 100 °F (37,8 °C)
 Subcooling 10 °F (5,5 °K) Evaporating temperature 40 °F (4,4 °C)
 Suction temperature 65 °F (18,3 °C) Superheating 25 °F (13,9 °K)
 Discharge temperature 160 °F (71,1 °C)



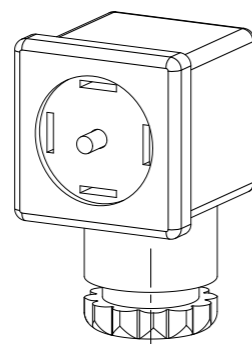
| SOLENOID TECHNICAL SPECIFICATION | | | | | | | | | | | | | |
|----------------------------------|---------|-------|-----------------------|----------------|------------|--------------------------------|-------------------------------------|------|-----------------|----------------|----|------------|----------------|
| Type | Volt | | Voltage tolerance [%] | Frequency [Hz] | Connection | Degree of protection | Consumption at working in 20°C [mA] | | Dimensions [mm] | | | Weight [g] | Pieces per box |
| | [Vac] | [Vdc] | | | | | AC @50 Hz | DC | L ₁ | L ₂ | H | | |
| KMA2 | 24 | - | ±10 | 50/60 | DIN43650 | IP65 ⁽¹⁾ EN60529 | 971 | - | 48 | 36 | 39 | 225 | 25 |
| KMA4 | 110 | - | | | | | 150 | - | | | | 230 | 25 |
| KMA6 | 220/230 | - | | | | | 87 | - | | | | 230 | 25 |
| KMA7 | 240 | - | | | | | 89 | - | | | | 215 | 25 |
| KMD2 | - | 12 | +10/-5 | - | | | - | 1900 | 62 | 63 | 39 | 480 | 45 |
| KMD4 | - | 24 | | | | | - | 950 | | | | 495 | 45 |
| KMD6 | - | 48 | | | | | - | 479 | | | | 490 | 45 |

NOTE

(1) E' il grado di protezione garantito dal sistema bobina & connettore DIN43650 assemblati con le apposite guarnizioni in dotazione, secondo EN 60529.

NOTES

(1) This is the degree of protection guaranteed by coil & plug system DIN43650 assembles with the appropriate gaskets in equipment, according to EN 60529.



JB9/11

| Type | Pg | Cable | | Protection degree |
|--------|------|------------|--------|-------------------|
| | | Lenght [m] | Type | |
| JB9/11 | 9/11 | - | - | IP65 (Mounted) |
| JB100 | - | 1 | PVC | IP67 |
| JB200 | - | 2 | H05VVF | |

JB100
JB200

