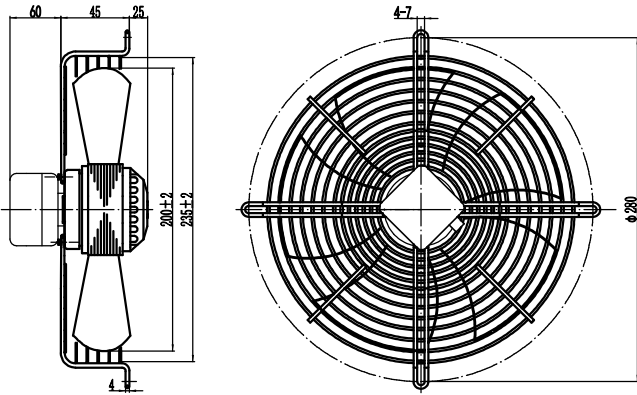
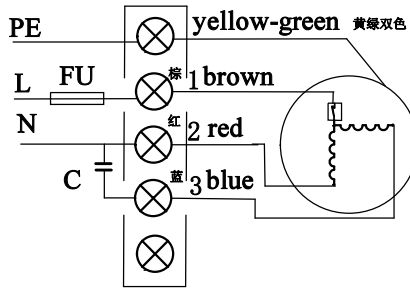


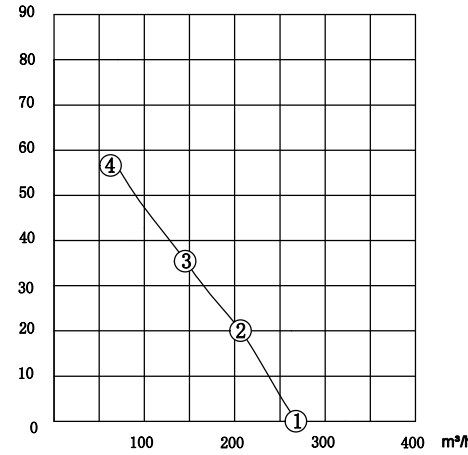
SUCKTION



Wiring diagram:



psf(pa)



PS: Fan working performance tested with Maer wall plate, and under standard atmospheric pressure at 20 °C.

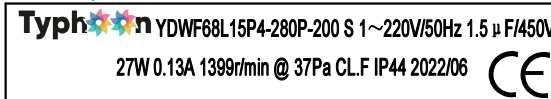
Performance parameters at key point:

	psf (pa)	I (A)	P1 (W)	n (r/min)	Q (m³/h)	Note
①	0	0.12	26	1415	268	
②	20	0.12	27	1414	206	
③	36	0.13	27	1399	142	MAX EFF.
④	55	0.13	28	1388	73	IMAX

Test data at free :

connection	UAC (V) ±5%	f (Hz)	P1 (W) ±10%	I (A) ±10%	n (r/min) ±10%	Noise dB(A)
	1~220	50	30	0.15	1410	53

Nameplate:

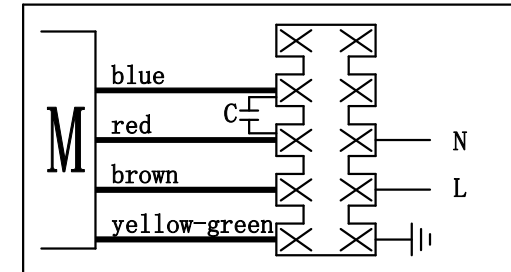


Product model	YDWF68L15P4-280P-200 S
product type	External rotor axial flow fan
customer code	02TE0002
Product number	/
certification	CE, CCC

Condition of use:

- 1) voltage and frequency: 1 ~ 220V±5 %, 50 Hz.
- 2) Qualification requirements: Terminal block, the recommended standard of lead wire is not less than 0.5 mm².
- 3) Installation position: vertical or upward.
- 4) ambient temperature: 40~80°C.

The external wiring diagram:



Mark

Typhoon Single-Phase Asynchronous External Rotor Motor for Fan

Type : YDWF68L15P4-280P-200 SUCKTION
V/F : 1~220V/50Hz
NW/GW : KG/ KG
QTY : 1PCS
Meas : 25X25X15CM
Date :
Order :
RPM : 1399 rpm Made in CHINA

Technical specification:

1. All parts of fan should be properly assembled, no oil or dirt on the surface, no obvious distortion, mechanical damage and other defects.
2. Fan rotation is flexible, no delay, no operation sound, no scratch and other undesirable phenomena.
3. The safety requirement of fan is performed according to GB12350-2009, the electrical strength is 1800V•S, and the insulation resistance is not less than 100M at room temperature.
4. Motor insulation class, F CLASS.
5. Motor protection level, IP44, fan protection level, IP2X.
6. The fan balance level is: 1410±10%r/min high than G6.3, vibration value is less than 5.4mm/s.
7. with 200 Flat screen P45.
8. with Terminal block(no flowers), with built-in thermal protector.
9. Customer special English Trademark, Customer special English marks, special cartons.
10. With TPI bearing.

版本/Ver.	Page			浙江马尔风机有限公司 Maer Fan Motor ZHEJIANG MAER FAN MOTOR CO.,LTD.
重量/WG.	Kg	签名/Name	日期/Date	产品规格书 Product Specification
绘图/Drawing				型号/Model YDWF68L15P4-280P-200 S
审核/Checked				品号/PIN
批准/Approved				
客户确认/Customer confirmation				